

### Escutcheon Plates, 3-inch and 5-inch

#### FEATURES

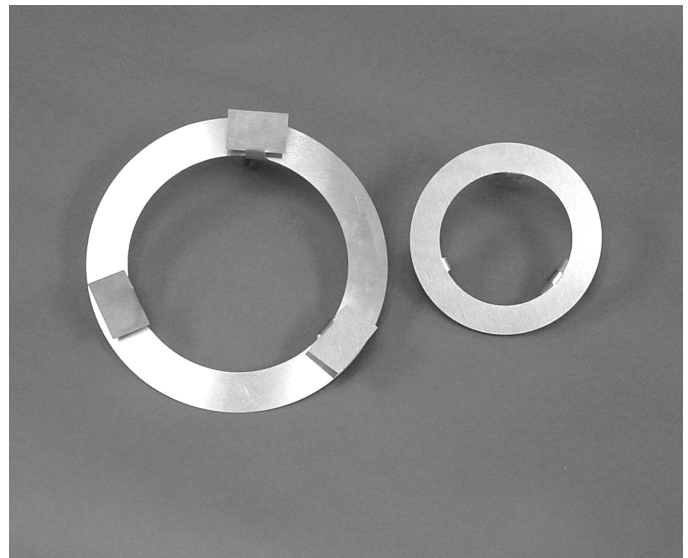
- Available in Two Sizes
- Bendable Tabs Adapt to Fit Ceiling Tile
- Easily Installed
- Aesthetically Pleasing
- Can be Primed or Painted Any Color to Match Ceiling Color
- RoHS Compliant

#### DESCRIPTION

The Kidde Fire Systems Advanced Delivery Fire Suppression System Escutcheon Plates are available for applications where aesthetics are a concern. The plates are available in a 3-inch size for use with 1/2- and 3/4-inch nozzles, and in a 5-inch size for use with 1-inch to 2-inch nozzles. Bendable side tabs allow the plates to adapt to fit ceiling tiles from 1/2-inch to 3/4-inch thick. The plates are easy to install and can take a paint finish to match the surrounding ceiling color for an unobtrusive installation.

#### INSTALLATION

Once the nozzle location has been determined, cut a hole in the ceiling tile based on the referenced inner diameter shown in the ordering information table. Once the hole has been cut, bend up the tabs and position escutcheon plate in place. Bend the tips of the tabs so that the tabs catch the tile and are not able to be pulled through (see Figure 1).



#### SPECIFICATIONS

##### MATERIALS

**Body:** Stainless Steel

**Finish:** 150 grain finish

##### Approximate Weight:

**3-inch—** 0.1 lb. (45 g)

**5-inch—** 0.2 lb. (91 g)

#### ORDERING INFORMATION

Description	Part Number	Dim A (Outer Dia.)	Dim B (Inner Dia.)
3" Escutcheon	06-236133-001	4.88 in.	2.25 in.
5" Escutcheon	06-236134-001	7.50 in.	3.75 in.

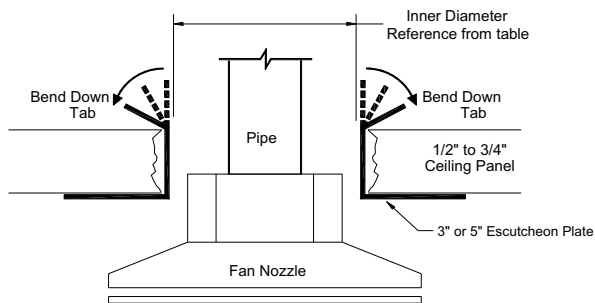


Figure 1. Installation of Escutcheon Plate

## DIMENSIONS

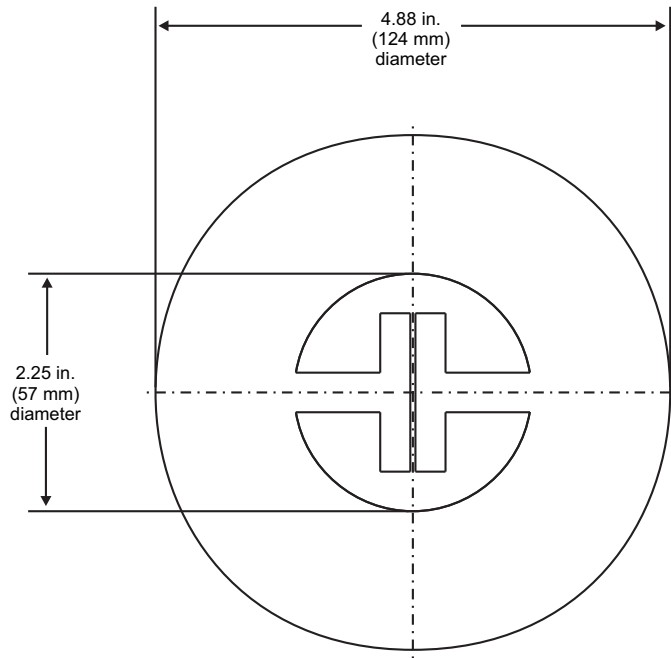


Figure 2. Dimensions 3-Inch Plate

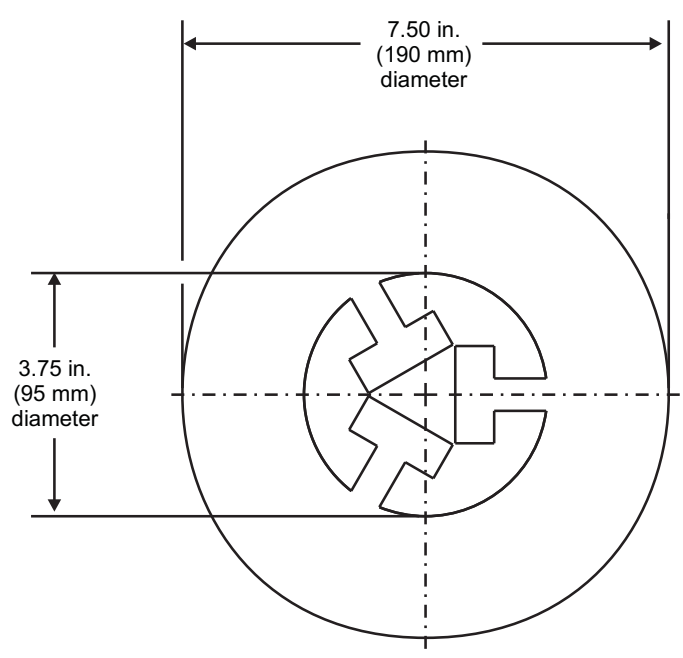


Figure 3. Dimensions 5-Inch Plate

## COMPATIBILITY

Series	DIOM P/N	Approvals
Kidde Fire Systems ADS™ for use with Fluoroketone Fire Suppression Agents	06-237256-001	UL, ULC, FM
Kidde Fire Systems ADS™ Marine for use with Fluoroketone Fire Suppression Agents	06-237257-001	UL, ULC, USCG
Kidde Fire Systems ADS™ with HFC-227ea Agent	06-236068-001	UL, ULC, FM
Kidde Fire Systems ADS™ Marine with HFC-227ea Agent	06-236595-001	UL, ULC, USCG

### EXPORT INFORMATION (USA)

Jurisdiction: EAR

Classification: EAR99

This document contains technical data subject to the EAR.

All trademarks are the property of their respective owners.

This literature is provided for informational purposes only. KIDDE-FENWAL, INC. believes this data to be accurate, but it is published and presented without any guarantee or warranty whatsoever. KIDDE-FENWAL, INC. assumes no responsibility for the product's suitability for a particular application. The fire suppression system design, installation, maintenance, service and troubleshooting must be performed by trained, authorized Kidde Fire Systems distributors for the product to work correctly. If you need more information on this product, or if you have a particular problem or question, contact: KIDDE-FENWAL, INC., Ashland, MA 01721 USA, Telephone: (508) 881-2000.